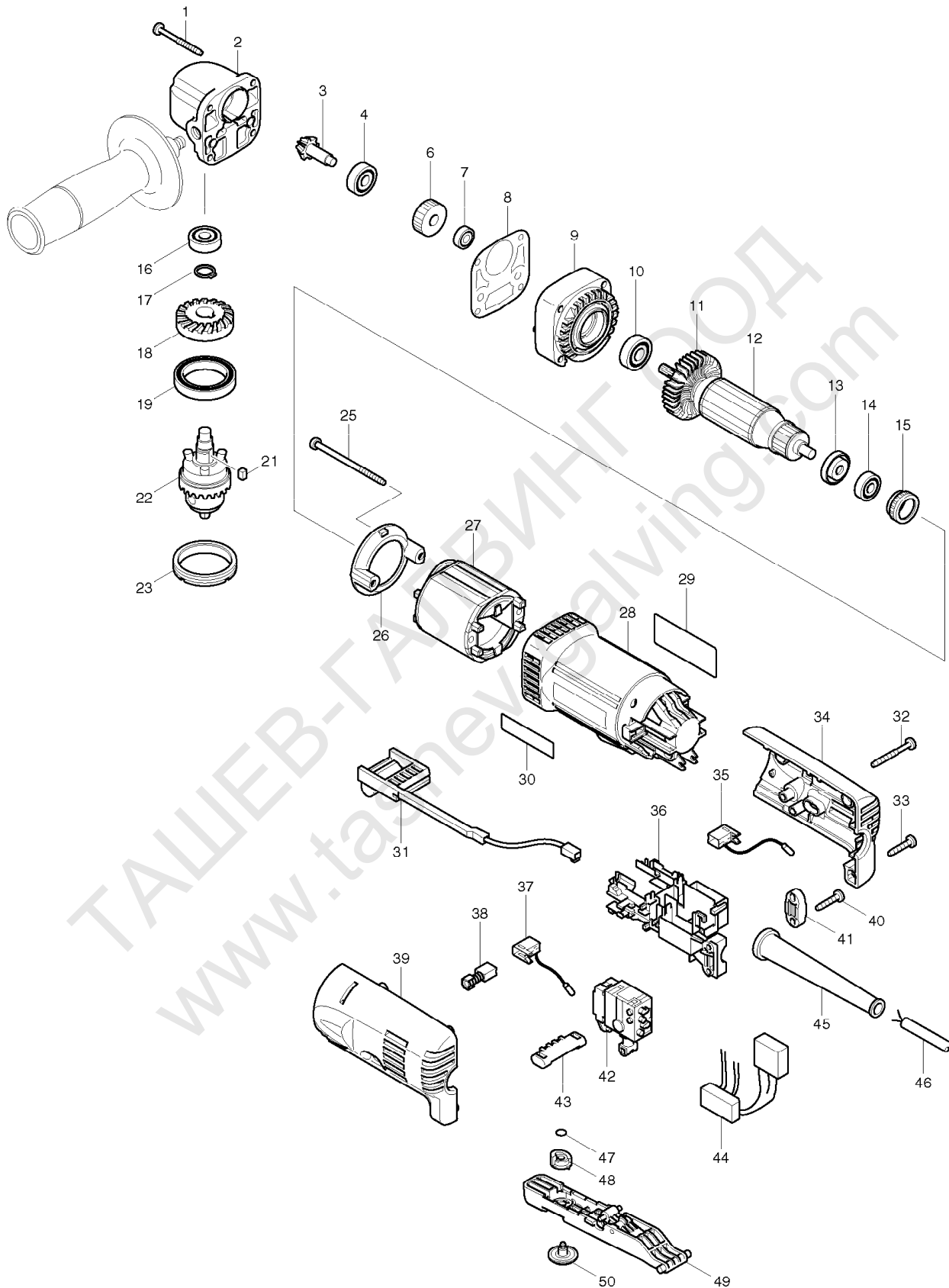


SERVICE DRAWING

MODEL NO. DA3010F



SPARE PARTS LIST

MODEL NO. DA3010F

ITEM	PART NO.	DESCRIPTION	QTY	NOTE
001	266048-4	TAPPING SCREW 4x40	4	
002	*****	*****	***	*****
003	227436-0	SPIRAL BEVEL GEAR 9	1	
004	*****	*****	***	*****
006	226567-2	Helical Gear 28	1	
007	210026-6	BALL BEARING 696ZZ new	1	
008	418036-9	Gasket	1	
009	418042-4	GEAR HOUSING COVER	1	
010	211051-0	BALL BEARING 609LLB	1	
011	240061-0	FAN 48	1	
012	517583-8	ARMATURE ASS'Y 220-240V INC. 10,11,13,14	1	
013	681636-0	INSULATION WASHER	1	
014	211021-9	BALL BEARING 607LLB	1	
015	421494-0	RUBBER RING 19	1	
016	*****	*****	***	*****
017	961052-5	RETAINING RING S-12	1	
018	227437-8	SPIRAL BEVEL GEAR 26	1	
019	211419-0	BALL BEARING 6806DDW	1	
021	254201-4	KEY 4	1	
022	763174-5	DRILL CHUCK S10	1	
023	285842-5	BEARING RETAINER 36-43	1	
025	266315-7	TAPPING SCREW MT 4x65	2	
026	418033-5	BAFFLE PLATE	1	
027	635078-0	FIELD	1	
028	183560-8	Motor Housing INC. 30	1	
029	850083-8	NAME PLATE DA3010F	1	
030	819063-3	MAKITA LABEL	1	
031	631516-0	Led Circuit	1	
032	266053-1	TAPPING SCREW 4x35	1	
033	265995-6	TAPPING SCREW 4x18	3	
034	183559-3	REAR COVER SET INC. 39	1	
035	643801-9	BRUSH HOLDER	1	
036	687139-2	SUPPORT	1	
037	643801-9	BRUSH HOLDER	1	
038	191962-4	CARBON BRUSH CB-419	1	
039	183559-3	REAR COVER SET INC. 34	1	
040	265995-6	TAPPING SCREW 4x18	2	
041	687063-9	STRAIN RELIEF	1	
042	650539-9	SWITCH TG803BSA-1	1	
043	418038-5	F/R Change Lever	1	
044	631527-5	POWER SUPPLY CIRCUIT	1	
045	682559-5	CORD GUARD 8	1	
046	666066-6	POWER SUPPLY CORD 1.0-2-2.5	1	
047	213034-6	O RING 3	1	
048	418040-8	CAM	1	
049	153477-9	SWITCH LEVER COMPLETE	1	
050	418037-7	Speed Change Dial	1	
A01	411780-7	KEY HOLDER 10	1	
A02	763415-9	CHUCK KEY S10	1	
A03	152490-4	GRIP 36 COMPLETE	1	